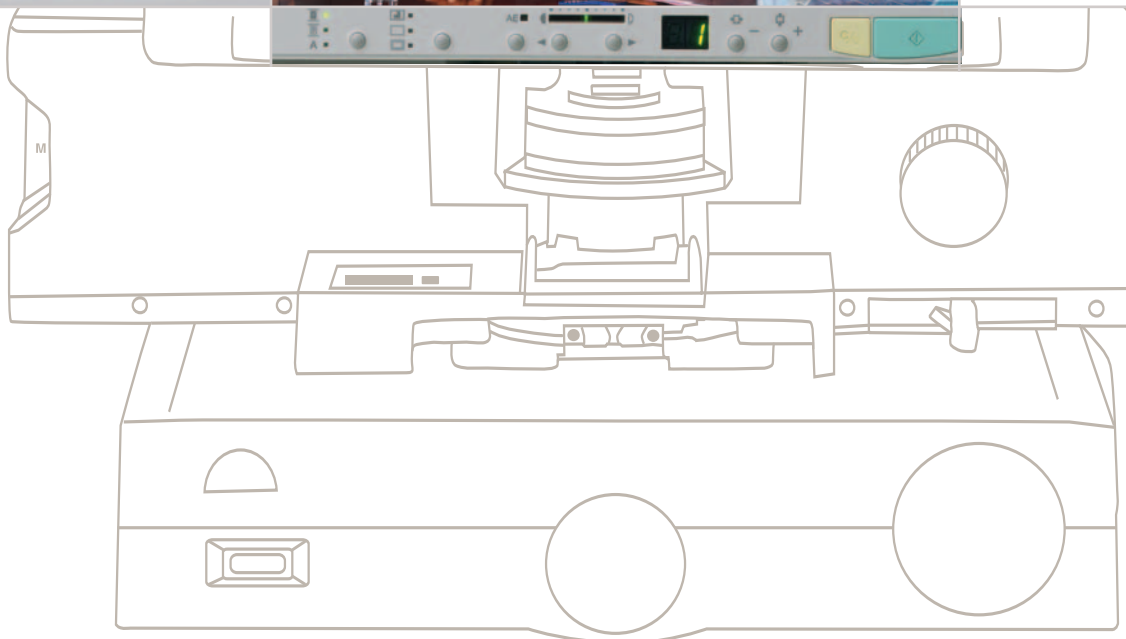
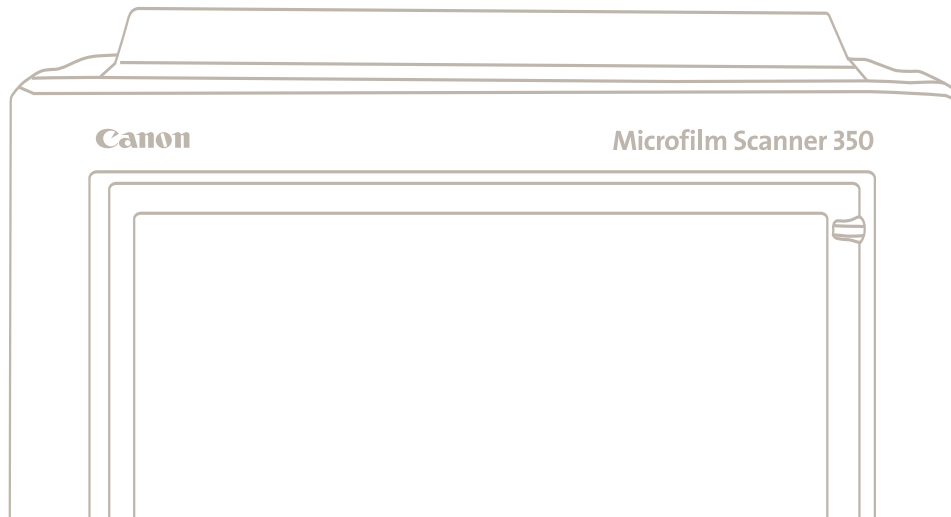


Canon



MS-350
DIGITAL MICROFILM SCANNER

PUT HISTORY AT YOUR FINGERTIPS

Whether researching historic archives or searching for a transaction from yesterday, the Canon MS-350 Digital Microfilm Scanner provides effortless access to vital records on microfilm. The MS-350 is equipped with a remote keyboard that offers automated control of commonly used functions for the operational comfort and convenience necessary for dedicated users and those with disabilities.

With universal acceptance of microfilm and microfiche, viewing, scanning and printing of images has never been easier. The Canon MS-350 Digital Microfilm Scanner provides just the solution you need for converting microfilm images for use in print, E-mail, and document storage applications.

Built to deliver premium scanning performance at high speeds, the MS-350 provides a resolution to meet any need. The superior image quality of the MS-350 Digital Microfilm Scanner gives you an opportunity to select the resolution that is right for any job—from grayscale up to 600 dpi, to binary black and white up to 300 dpi and 600 dpi.



Connecting with important resources

Through the standard PC-interface, the MS-350 enables you to retrieve images and convert film archives into digital files for printing, E-mailing, faxing, or storage—easily and efficiently. The MS-350 gives you the ability to convert information stored on microfilm and transfer it in seconds. That means you can integrate archived documents anywhere in your enterprise.

The Canon MS-350 scans at speeds of up to 5.5 seconds per frame so you can quickly upload microfilm images on demand.

Efficiency from the desktop

The MS-350 comes with Canon's CapturePerfect software as a standard feature. CapturePerfect provides you with the ability to scan microfilm for use in a variety of ways, including print, E-mail, and document storage—at a variety of resolutions up to 600 dpi. In addition, it enables you to employ text enhancements, image quality adjustments, and page-size detection.

When operating in the unique Reader-Printer Mode, the MS-350 lets you print to a local or network printer by simply pressing the PRINT key. Reader-Printer Mode offers the same ease-of-operation as a traditional Reader-Printer. You can even attach pages to an image file saved in CapturePerfect as TIFF, PDF, BMP, and JPEG files. What's more, the user-friendly on-screen Scan Panel puts automatic features and custom settings at your fingertips. Additionally, standard ISIS® and TWAIN drivers ensure compatibility with many popular software applications.



Optional Canon Printers deliver performance

For scan-to-print applications, the MS-350 can be configured to connect directly to a Canon Fileprint laser printer without the need of a PC connection. With the MS-350's optional Digital Micro Printer (DMP) Board installed, you can easily connect a choice of two compact printers employing Canon's leading-edge laser printing technology. Whether your needs call for the versatile, high-capacity Fileprint 450, or the economical Fileprint 250, you can be assured of high-quality output. And with 600-dpi resolution, you can faithfully reproduce a wide range of micro-images, including those hardest to read.

The Canon Fileprint 450 produces 600-dpi output at 10 pages per minute and delivers high-quality laser printouts from letter- to ledger-sized. Users can also automatically enlarge 8-1/2" x 11" screen images to fit 11" x 17"-sized paper for large-format documents. A universal 250-page paper cassette is standard, and an optional, large-capacity 500-page paper cassette can be added for high-volume printing or when the application calls for user-selection of different paper sizes. For optimum efficiency with the MS-350, there's Canon's economical Fileprint 250 laser printer for letter-sized printing—a real space saver, its reliable output will enhance your workflow.



FILEPRINT 250



FILEPRINT 450

Get control of the most demanding tasks

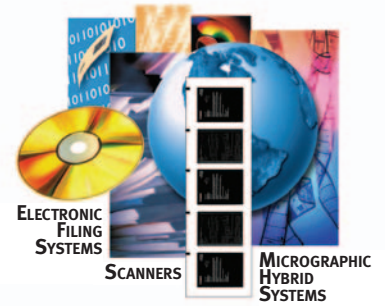
Having instant access to large archives begins with the Canon MS-350 Digital Microfilm Scanner. In converter mode, it's easy to synchronize film scanning with image processing and even automatic indexing. Configured with Canon's optional Fast Search Controllers, the MS-350 provides high-speed access to stored images with automatic film-loading, automated search and retrieval, and even advanced printer functions.

Select the file format that's right for you

The Canon MS-350 Digital Microfilm Scanner enables you to save your output in the most popular formats—TIFF, BMP, PDF, and JPEG. In addition, the MS-350's interchangeable film carriers handle 16/35mm roll film, ANSI/3M cartridges, microfiche jackets, and aperture cards.

Taking the mystery out of microfilm

Traditionally, when microfilm or fiche is used as a public reference resource, staff members need to constantly assist novice users. The solution image.SCAN software. It offers step-by-step tutorial videos in English, French, or Spanish through an easy-to-use touch-screen interface. The highly informative video tutorials and kiosk-type interface guide users through everything from film-loading to image clean-up, saving images, or E-mailing them. Now, even walk-up users can conveniently access microfilm or microfiche, by themselves, in record time!



SPECIFICATIONS

Microfilm Scanner 350

Type: Desktop Digital Microfilm Reader/Scanner
Film Formats: Universal with Interchangeable Carriers
Film Types: Both Negative and Positive Images of Silver or Diazo 16mm/35mm Film, Aperture Cards and Microfiche
Screen: 11.81" x 11.81"
Image Scanning
Resolution: Up to 600 dpi
Scan Modes: B/W, 256-level Grayscale, Error Diffusion, Text Enhanced (not in DMP Mode)
Scan Sizes (U.S.): 8-1/2" x 11", 11" x 14"
Scan Speed: 5.5 Seconds 8-1/2" x 11" *
Image Rotation/Focusing/Zooming: Motorized Controls
Exposure Control: Automatic or Manual
Print Border and Standard Features: Border Removal, Trimming, Centering, Full Framing, Optical Image Rotation, Automatic Page Size Detection, Deskew
Standard Interface: SCSI-II
Image Polarity Detection: Negative/Positive/Automatic Bi-mode
Bundled Software: Canon CapturePerfect
Scanner Drivers: ISIS® and TWAIN
Electrical Requirements: 120V, 50/60Hz, 1.9A
Dimensions (H x W x D)
Main Unit: 26.3" x 17.4" x 21.3"
Weight: 57.32 lb.
Options: DMP Board (for Direct Fileprint Connection), Fileprint 250, Fileprint 450
Interchangeable Lenses: Single Lens: 7X
Zoom Lens: 9.5X-16X, 10X-24X, 16X-32X, 20X-48X, 30X-55X, Framing Kit for Trimming
Print Image, Interchangeable Carriers, Workstation IV and II
image.SCAN (for Public Use)
image.MOVER (for File Foldering and Distribution)
eCopy Suite (for E-mail and Distribution)

* Examples based on typical settings @ 200 dpi. Actual processing speeds may vary based on PC performance and application software.

Fileprint 450

Type: Desktop Printer
Print Process: PPC Laser Printing
Print Speed: 10 Letter-sized Pages per Minute
Resolution: 600 dpi
Print Sizes: Letter/Legal/Ledger
Paper Supply: Automatic Feed by Snap-in, 250-sheet Paper Cassette or 500-sheet Paper Cassette with Optional Paper Feeder
Output Stacker: 250 Sheets
Warm-up Time: Less Than 9 Seconds
First-print Speed: Approx. 14 Seconds
Consumables: FP Cartridge 400
Electrical Requirement: 120V, 60Hz, 380W
Dimensions (H x W x D): 11-13/16" x 19-5/16" x 19-13/16"
Weight: 50.7 lb. Without Toner Cartridge
Options: 500-sheet Paper Cassette
Other Features: Auto Enlargement Printing

Fileprint 250

Type: Desktop Printer
Print Process: PPC Laser Printing
Print Speed: Maximum 8 Letter-sized Pages per Minute
Resolution: 600 dpi
Print Sizes: Letter/Legal/Statement
Paper Supply: 125-sheet Tray
Output Stacker: 100 Sheets
Warm-up Time: Less than 8 Seconds
First-print Speed: Approx. 18 Seconds
Consumables: FP Cartridge 250
Electrical Requirements: 100-120V, 50/60Hz, 170W
Dimensions (H x W x D): 10-1/2" x 13-9/16" x 12-5/16"
Weight: 14 lb. Without Toner Cartridge

Image Filing Systems Division
 Authorized Full Line Dealer Network

Canon
*image*ANYWARE

1-866-60-CANON
www.usa.canon.com

Canon U.S.A., Inc.
 One Canon Plaza
 Lake Success, NY 11042

As an ENERGY STAR® Partner, Canon U.S.A., Inc. has determined that the MS-350 Digital Microfilm Scanner meets the ENERGY STAR® guidelines for energy efficiency. ENERGY STAR and the ENERGY STAR mark are registered U.S. marks. ISIS is a trademark of Captiva Software Corporation. CANON is a registered trademark of Canon Inc. in the United States and may also be a registered trademark or trademark in other countries. IMAGEANYWARE is a trademark of Canon. All referenced product names and other marks are trademarks of their respective owners.

All specifications are subject to change without notice.

©2006 Canon U.S.A., Inc. All rights reserved.